

## 5A, 18V, 500kHz, ACOT™ Step-Down Converter

### ***Purpose***

The RT6255B is a synchronous step-down converter with Advanced Constant On-Time (ACOT™) mode control. with the input voltage range from 4.5V to 18V and provides 5A output current. This document explains the function and use of the RT6255B evaluation board (EVB), and provides information to enable operation, modification of the evaluation board and circuit to suit individual requirements.

## Table of Contents

Purpose .....	1
Introduction.....	2
Key Performance Summary Table .....	2
Bench Test Setup Conditions .....	3
Schematic, Bill of Materials & Board Layout .....	5
More Information.....	8
Important Notice for Richtek Evaluation Board .....	8

## Introduction

### General Product Information

The RT6255B is a high-efficiency, synchronous stepdown DC-DC converter that can deliver up to 5A output current from a 4.5V to 18V input supply. The RT6255B adopts Advanced Constant On-Time (ACOT™) control architecture to provide an ultrafast transient response with few external components and to operate in nearly constant switching frequency over line, load, and output voltage ranges.

The RT6255B features cycle-by-cycle current limit protection against short-circuit outputs, and soft-start function to prevent inrush current during start-up. It also includes input under-voltage lockout, output under-voltage protection, and over-temperature protection (thermal shutdown) to provide safe and smooth operation in all operating conditions.

### Product Feature

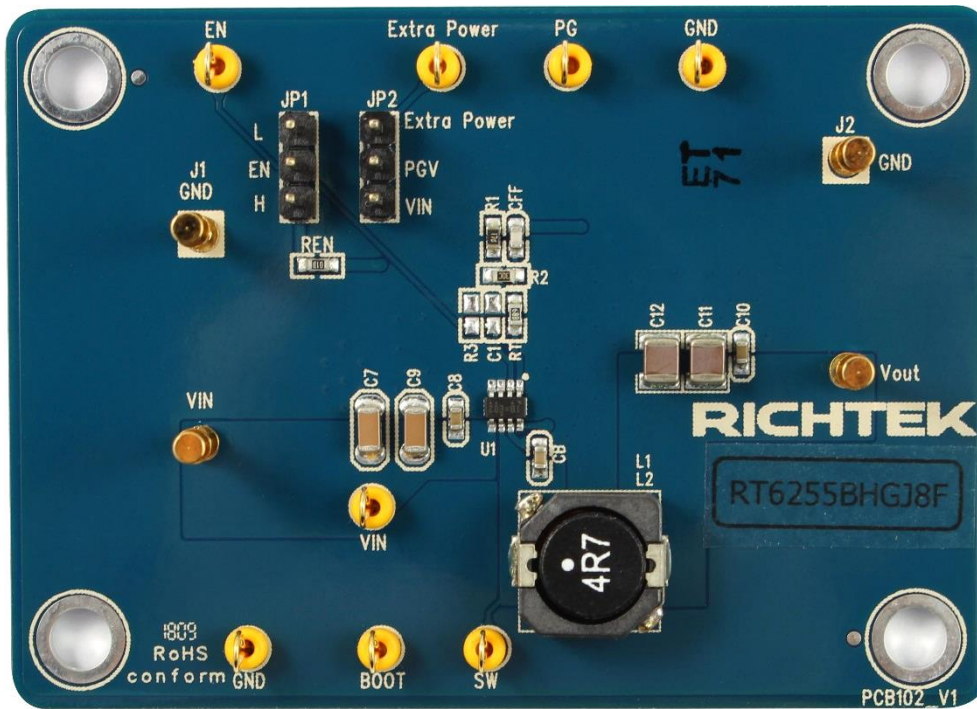
- Input Supply Voltage Range : 4.5V to 18V
- Output Current : 5A
- Advanced Constant On-Time (ACOT™) Control for Ultrafast Transient Response
- Steady Switching Frequency : 500kHz
  - ▶ Forced PWM Mode
- Optimized for Low-ESR Ceramic Output Capacitors
- Programmable Output Voltage : 0.6V to 5V
- Internal 45mΩ Switch and 23mΩ Synchronous Rectifier
- Cycle-by-Cycle Current Limit Protection
- Internal Soft-Start (Typ 1.5ms) or Externally
- Adjustable, Pre-biased Compatible Soft-Start (Only for Option with SS Pin)
- Power Good Indicator (90%) (Only for Option with PGOOD Pin)
- Output Under-Voltage Protection (UVP)
- Over-Temperature Protection (OTP)
- Input Under-Voltage Lockout (UVLO)
- Available in TSOT-23-8 (FC) Packages

### Key Performance Summary Table

Key Features		Evaluation Board Number : PCB102_V1
Default Input Voltage	12V	
Max Output Current	5A	
Default Output Voltage	5V	
Default Marking & Package Type	RT6255BHGJ8F, TSOT-23-8 (FC)	
Operation Frequency	Steady 500kHz at all loads	

**Bench Test Setup Conditions**

**Headers Description and Placement**



Carefully inspect all the components used in the EVB according to the following Bill of Materials table, and then make sure all the components are undamaged and correctly installed. If there is any missing or damaged component, which may occur during transportation, please contact our distributors or e-mail us at [evb\\_service@richtek.com](mailto:evb_service@richtek.com).

**Test Points**

The EVB is provided with the test points and pin names listed in the table below.

Test point/ Pin name	Signal	Comment (expected waveforms or voltage levels on test points)
<b>VOUT</b>	Output Voltage Test Point	This pin is used to sense output voltage.
<b>VIN</b>	Input voltage	Power input. Supplies the power switches of the device.
<b>GND</b>	Ground	This is the power return for the IC.
<b>BOOT</b>	Bootstrap	Bootstrap supply for high-side gate driver. Connect a 0.1μF ceramic capacitor from LX to BOOT to power the high-side switch.
<b>SW</b>	Switch Node Test Point	Connect the output LC filter from SW to the output load.
<b>EN</b>	Enable Control Input	Floating this pin or connecting this pin to logic high can enable the device and connecting this pin to GND can disable the device.
<b>Extra Power</b>	External Pull High Voltage	External power supply input for PGOOD pulls high power.
<b>PG</b>	Power Good Indicator	Power good indicator. Open-drain output when the output voltage is within 90% to 120% of regulation point.

### ***Power-up & Measurement Procedure***

1. Apply a 12V nominal input power supply ( $4.5V < V_{IN} < 18V$ ) to the VIN and GND terminals.
2. Set the jumper at JP1 to connect terminals 2 and 3, connecting EN to VIN through resistor REN, to enable operation.
3. Verify the output voltage (approximately 5V) between VOUT and GND.
4. Connect an external load up to 5A to the VOUT and GND terminals and verify the output voltage and current.

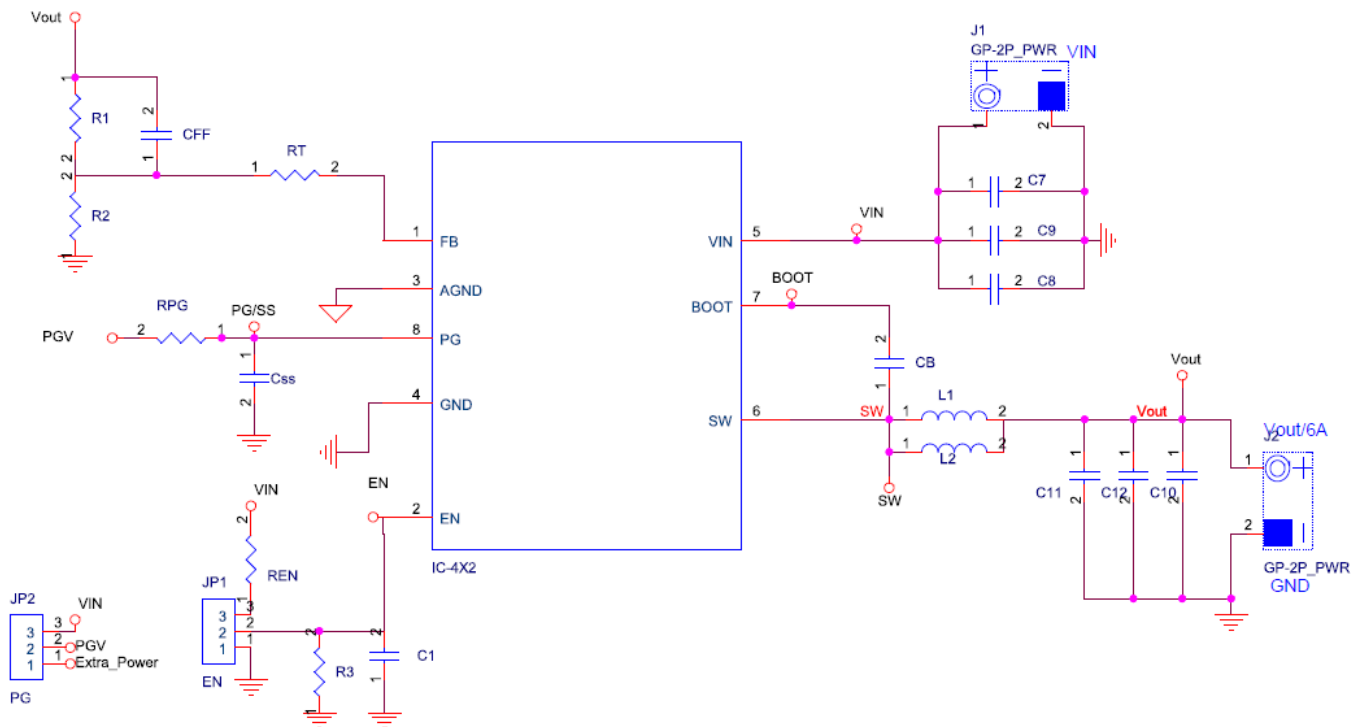
### ***Output Voltage Setting***

Set the output voltage with the resistive divider (R1, R2) between VOUT and GND with the midpoint connected to FB. The output is set by the following formula :

$$V_{OUT} = V_{FB} \times (1 + R1 / R2)$$

**Schematic, Bill of Materials & Board Layout**

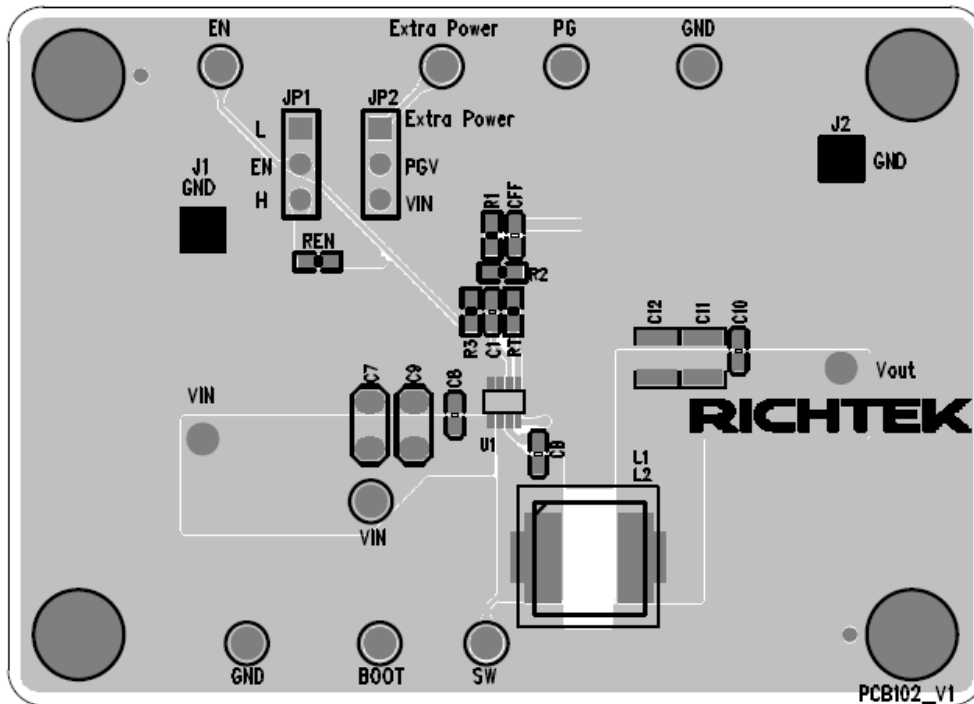
**EVB Schematic Diagram**



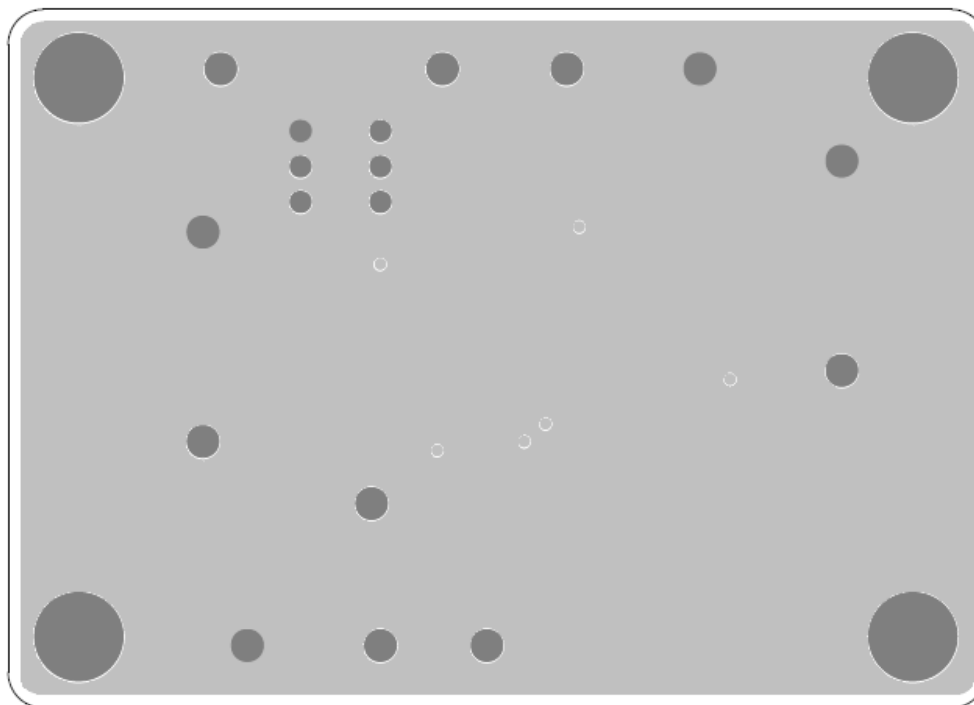
**Bill of Materials**

Reference	Qty	Part Number	Description	Package	Manufacturer
U1	1	RT6255BHJ8F	DC-DC Converter	TSOT-23-8 (FC)	RICHTEK
C7, C9	2	C3216X5R1H106K160AB	10µF/50V/X5R/1206	C-1206	TDK
C8, C10, CB, CSS	4	GRM188R71H104KA93D	100nF/50V/X7R/0603	C-0603	MURATA
CFF	1	0603N470J500CT	47pF/50V/NPO/0603	C-0603	WALSIN
C11, C12	2	C3225X5R1E226M250AC	22µF/25V/X5R/1210	C-1210	TDK
L1	1	7447714047	4.7µH	L-10x10	Würth Electronics
REN	1	WR06X1003FTL	100k	R-0603	WALSIN
R1	1	WR06X1473FTL	147k	R-0603	WALSIN
R2	1	WR06X2002FTL	20k	R-0603	WALSIN
RT	1	WR06X4991FTL	4.99k	R-0603	WALSIN
C1, L2, R3, RPG	4		NC	C-0603	

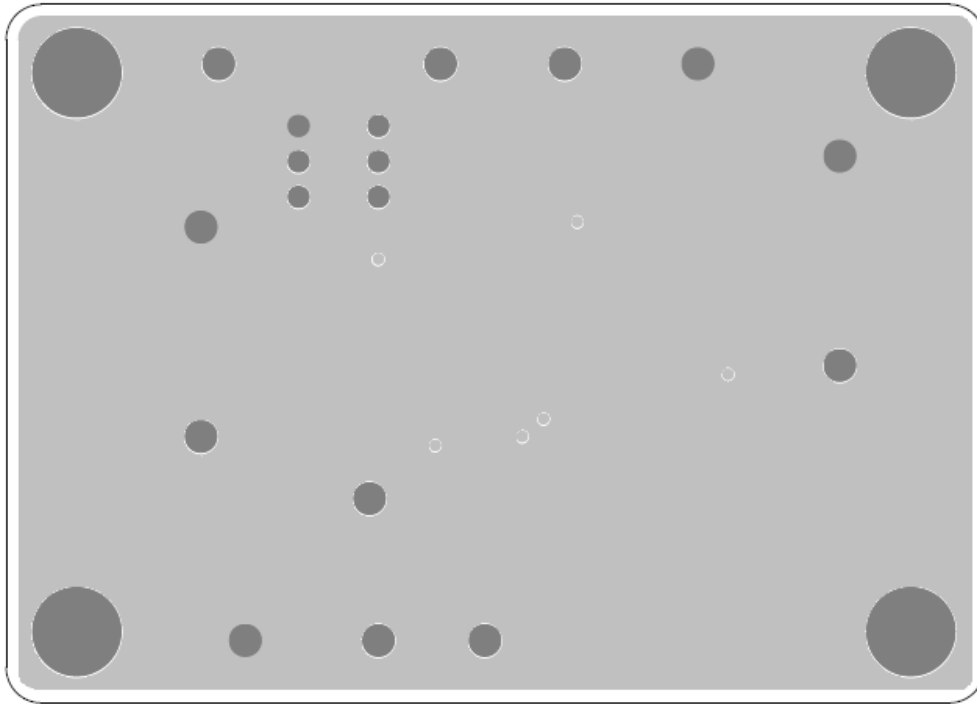
**PCB Layout**



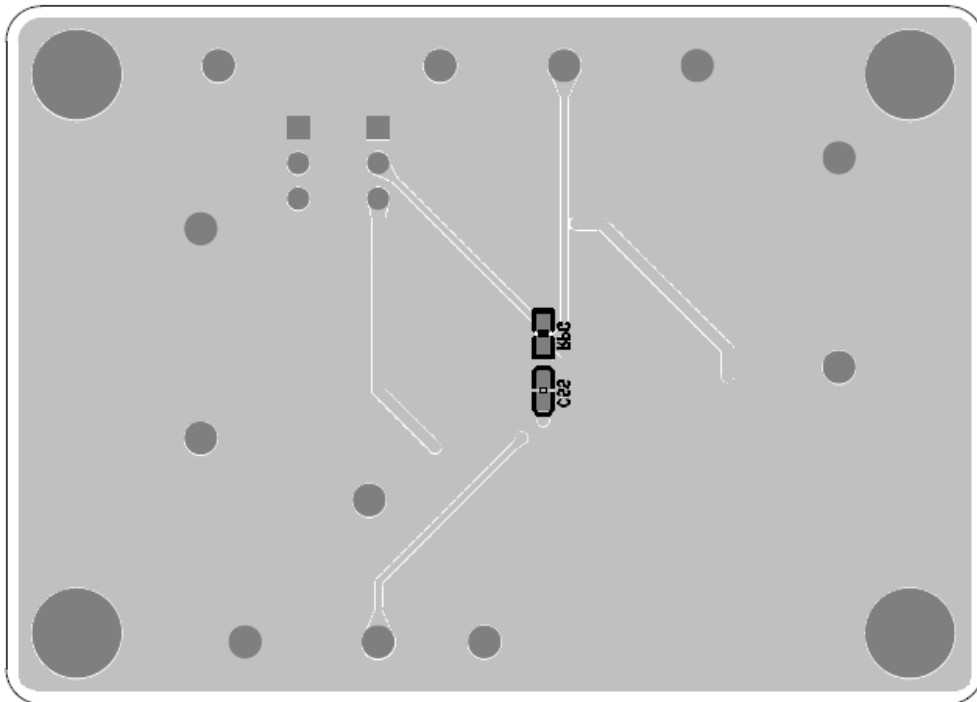
Top View (1<sup>st</sup> layer)



PCB Layout—Inner Side (2<sup>nd</sup> Layer)



PCB Layout—Inner Side (3<sup>rd</sup> Layer)



Bottom View (4<sup>th</sup> Layer)

### ***More Information***

For more information, please find the related datasheet or application notes from Richtek website <http://www.richtek.com>.

### ***Important Notice for Richtek Evaluation Board***

THIS DOCUMENT IS FOR REFERENCE ONLY, NOTHING CONTAINED IN THIS DOCUMENT SHALL BE CONSTRUED AS RICHTEK'S WARRANTY, EXPRESS OR IMPLIED, UNDER CONTRACT, TORT OR STATUTORY, WITH RESPECT TO THE PRESENTATION HEREIN. IN NO EVENT SHALL RICHTEK BE LIABLE TO BUYER OR USER FOR ANY AND ALL DAMAGES INCLUDING WITHOUT LIMITATION TO DIRECT, INDIRECT, SPECIAL, PUNITIVE OR CONSEQUENTIAL DAMAGES.